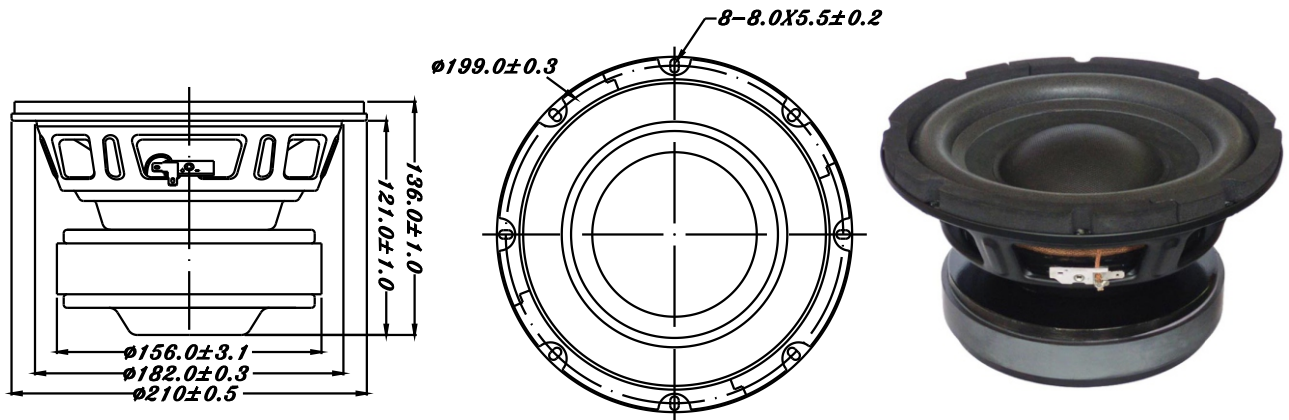


SU SERIES

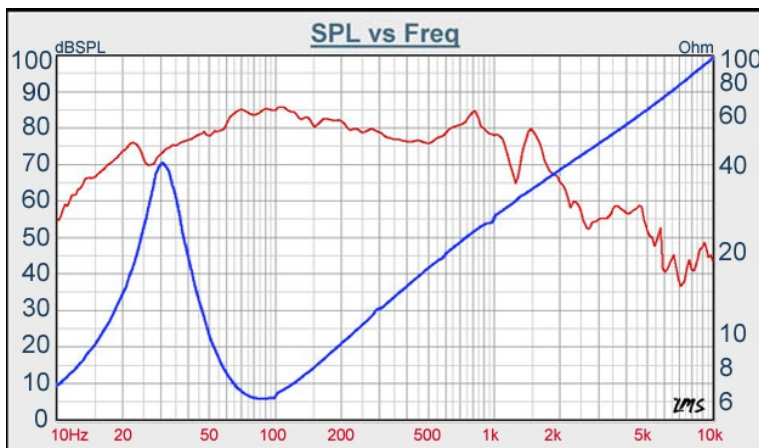
W8-740P



- LONG THROW HIGH POWER LOADING DESIGN ($X_{max}=12.1$ mm)
- PAPER CONE WITH FOAM SURROUND (LIGHT WEIGHT & HIGH STIFFNESS)
- VENTED POLE PIECE
- STAMPED STEEL BASKET
- SUITABLE FOR SUBWOOFER APPLICATION

8" PAPER SUBWOOFER

DIAPHRAGM MTL	Paper
SURROUND MTL	Foam
NOMINAL IMPEDANCE	4 Ω
DCR IMPEDANCE	3.2 Ω
SENSITIVITY 1W/1m	84 dB
FREQUENCY RESPONSE	30 - 1K Hz
FREE AIR RESONANCE	30 Hz
VOICE COIL DIAMETER	49.5 mm
AIR GAP HEIGHT	8 mm
RATED POWER INPUT	120 W
MAXIMUM POWER INPUT	240 W
FORCE FACTOR, BL	13.66 TM
TYPE OF MAGNET	Ferrite
MOVING MASS	94.26 g
FERROFLUID ENHANCED	No
SUSPENSION COMPLIANCE	291.402 μMN^{-1}
EFFECTIVE PISTON AREA	0.022 M^2
Levc	0.837 mH
Zo	40 Ω
X-max	12.1 mm
Vas	20.03 Litr
Qts	0.28
Qms	3.69
Qes	0.31



TB SPEAKERS

VOICE: 886.2.26570282 FAX: 886.2.26580166
E-MAIL: info@tb-speaker.com