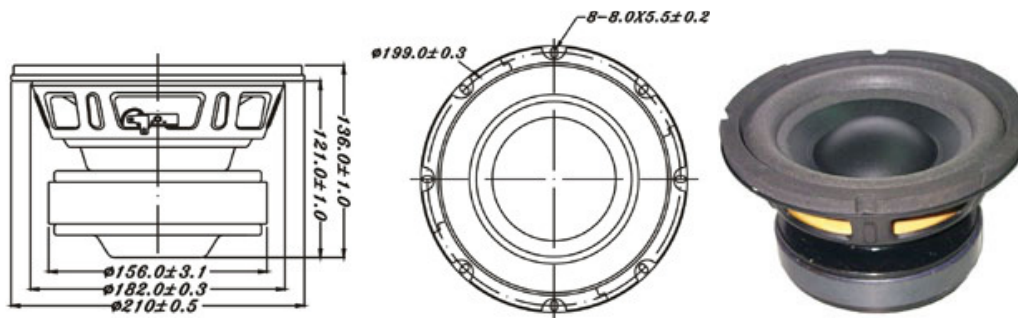


**SU** SERIES**W8-740P**

8" PAPER SUBWOOFER

- 1 LONG THROW HIGH POWER LOADING DESIGN (X<sub>max</sub>=12mm)
- 1 PAPER CONE WITH FOAM SURROUND (LIGHT WEIGHT & HIGH STIFFNESS)
- 1 VENTED POLE PIECE
- 1 STAMPED STEEL BASKET
- 1 SUITABLE FOR SUBWOOFER APPLICATION
- 1 MAGNETIC VOICE COIL

DIAPHRAGM MTL	Paper
SURROUND MTL	Foam
NOMINAL IMPEDANCE	4 Ω
DCR IMPEDANCE	3.2 Ω
SENSITIVITY 1W/1m	84 dB
FREQUENCY RESPONSE	28-1K Hz
FREE AIR RESONANCE	28 Hz
VOICE COIL DIAMETER	50 mm
AIR GAP HEIGHT	8 mm
RATED POWER INPUT	150 W
MAXIMUM POWER INPUT	300 W
FORCE FACTOR, BL	13.35 TM
MAGNET WEIGHT (50oz)	1427 g
MOVING MASS	95 g
FERRO FLUID ENHANCED	No
SUSPENSION COMPL.	333 μMN <sup>-1</sup>
EFFEC.PISTON AREA	0.022 M <sup>2</sup>
Levc	3.18 mH
Zo	113.99 ohm
X-max	12 mm
Vas	23 Litr.
Qts	0.30
Qms	10.53
Qes	0.30



**TB** SPEAKERS

VOICE:886.2.26570282 FAX:886.2.26580166  
E-MAIL :info@tb-speaker.com

**CLOSE**